

Connectors

IHCONNECTORS.COM



2S Series Lugs

**Tin Plated
Aluminum Lugs for
two Copper or
Aluminum wires**

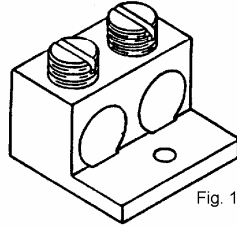


Fig. 1

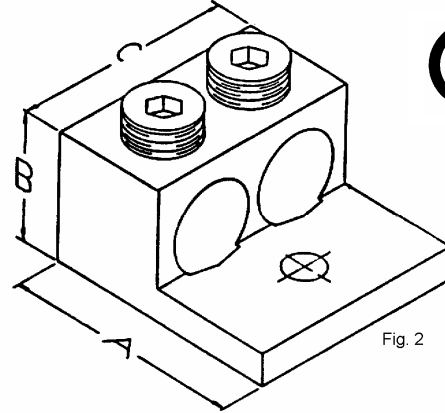


Fig. 2



Wire Range	Catalog Number	Fig. No.	A	B	C	Bolt Size
AWG 1/0 -14	2S1/0	1	1-15/32	13/16	1-1/8	1/4
AWG 2/0 -14	2S2/0	1	1-15/32	13/16	1-9/16	1/4
250 MCM -6	2S250	2	2-9/16	1-3/16	1-5/8	3/8
350 MCM -6	2S350	2	2-7/8	1-1/4	1-15/16	1/2
500 MCM -6 *	2S500	2	3.5	1.75	2.22	1/2
600 MCM -4	2S600	2	3-1/8	1-9/16	2-3/8	1/2
600 MCM -4	2S600TP	2	3-1/8	1-9/16	2-3/8	1/2
750 MCM -1/0	2S750	2	3-1/2	1-11/16	2-5/8	1/2

* UL Listed only, all others are UL Listed and CSA Certified. "TP" has Turn Prevent Rib on bottom

Standard and Custom Connectors

Materials: • Aluminum Alloys • Copper Alloys • Brass Alloys

Mechanical Products: • Box Connectors • Splicers • Lugs

Wire Sizes: 14 AWG to 1000 MCM

ANY QUESTIONS?

Call Charles Ridley (ext. 103)

to discuss your needs: 440-951-7186 Fax: 440-951-1071

e-mail: Charles Ridley: cRidley@ihinet.com

IHI Connectors® , International Hydraulics Inc.

7638 St. Clair Avenue, Mentor, OH 44060-5236